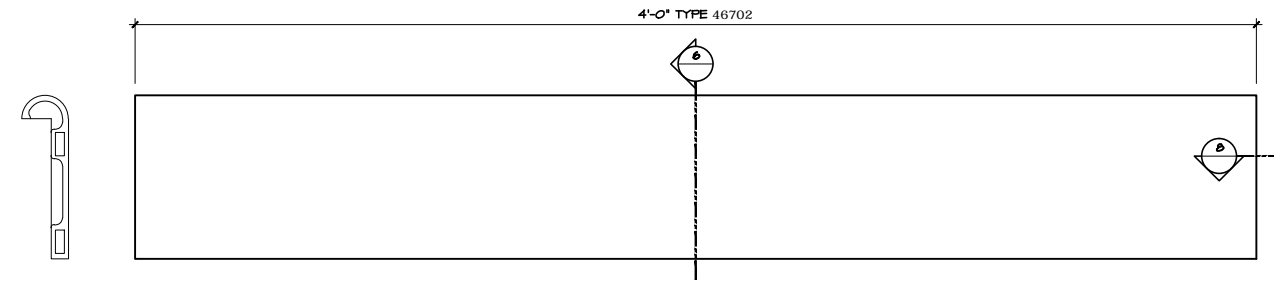
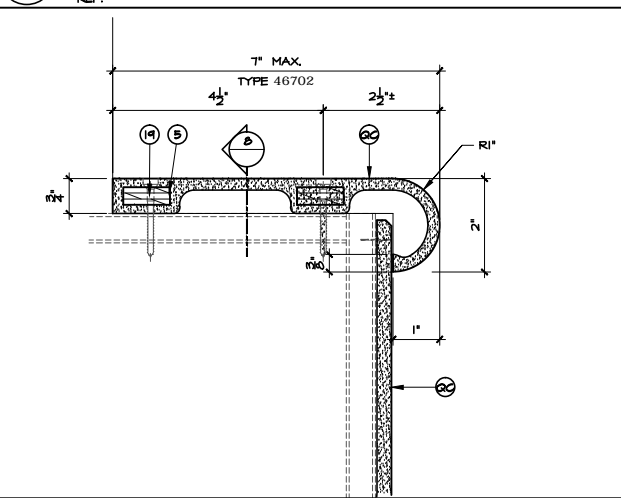


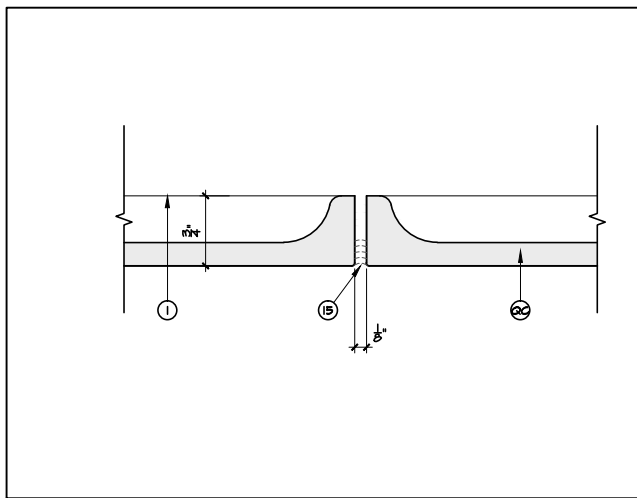
1 STORE FRONT ELEVATION  
SCALE: 1/2"=1'-0"  
REF.



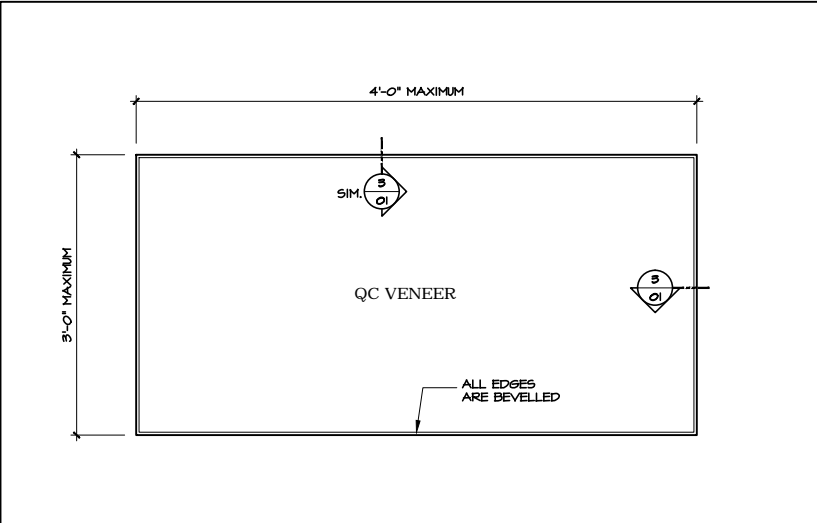
5 QC BULLNOSE ELEVATION - TYPE 46702  
SCALE: 3/4"=1'-0"  
REF.



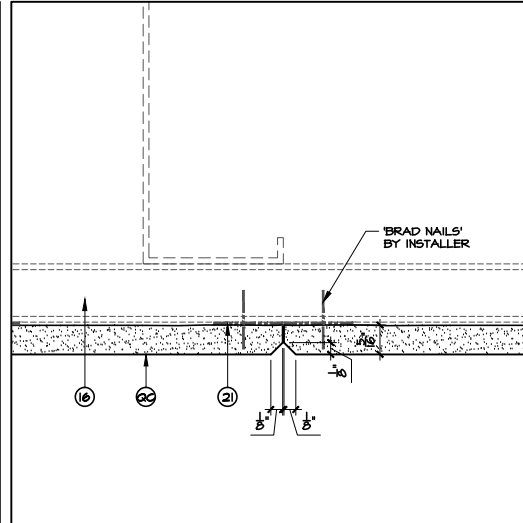
6 QC BULLNOSE ELEVATION - TYPE 46702  
SCALE: 3/4"=1'-0"  
REF.



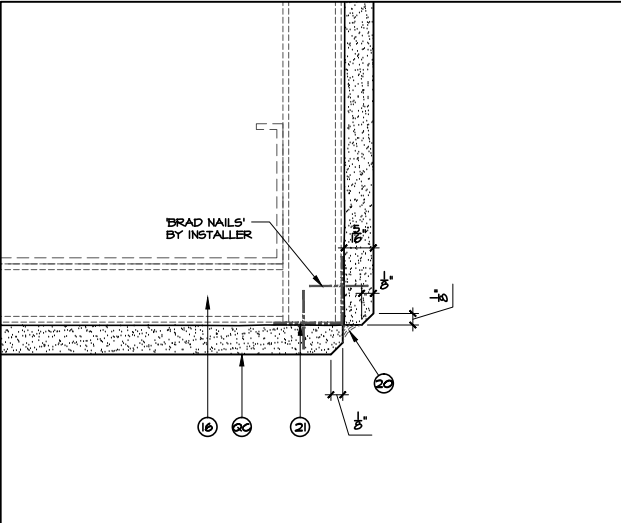
8 QC BULLNOSE TRIM BUTT JOINT DETAIL  
SCALE: FULL  
REF.



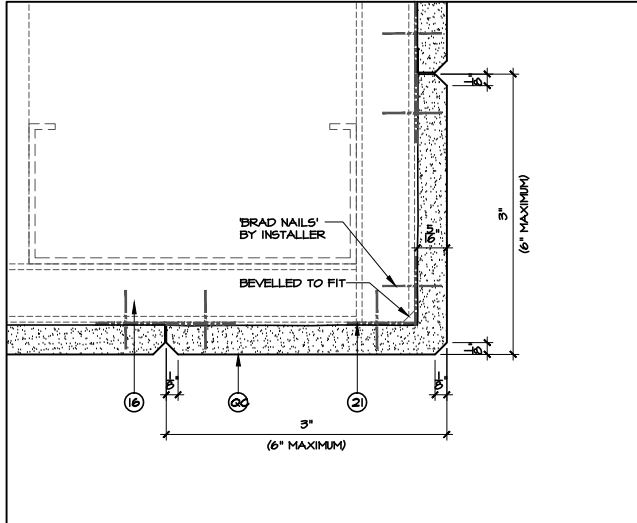
2 QC VENEER ELEVATION  
SCALE: 3/4"=1'-0"  
REF.



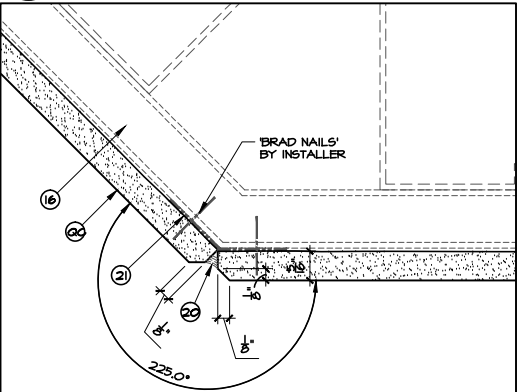
4 VENEER BUTT JOINT DETAIL  
SCALE: FULL  
REF.



7 OUTSIDE CORNER JOINT DETAIL  
SCALE: FULL  
REF.



9 PRE-MADE OUTSIDE CORNER  
SCALE: FULL  
REF.



3 225 DEG. OUTSIDE CORNER JOINT DETAIL  
SCALE: FULL  
REF.

**STANDARD LEGEND**  
**QUARRYGAST\* (QC)**

1 FLANGES	16 DRYWALL OR PLYWOOD BACKING
2 N/A	17 FRAMING, BLOCKING, ETC.
3 JOINT [V]	18 SHIMS
4	19 SCREWS [FILLED AS REQ'D]
5 DIRT	20 CAULKED JOINT
6 PLYWOOD REIN. [CONT.'S]	21 ADHESIVE
7 PLYWOOD BLOCK INSERT	22
8 N/A	23
9 STEEL "L" OR "Z" [NOT CONT.'S]	24
10 BUILT-IN ROOF REIN.	
11 BUILT-IN LOOP [HANGER]	
12 BUILT-IN WOOD GUSSET	
13 BEVEL EDGES / CORNERS	
14 FALSE JOINT	
15 GROUT	

**BY OTHERS**

16 DRYWALL OR PLYWOOD BACKING
17 FRAMING, BLOCKING, ETC.
18 SHIMS
19 SCREWS [FILLED AS REQ'D]
20 CAULKED JOINT
21 ADHESIVE
22
23
24

**MISCELLANEOUS**

XX NUMBER DENOTES RECOMMENDED INSTALLATION SEQUENCE	<b>CERTIFICATION</b>
* ASTERISK DENOTES SITE CUT PART	FORMGLAS IS REGISTERED AS AN ISO 90-2000 COMPANY
ALL BUILT-IN STEEL IS GALVANIZED	

- Q.C. NOTES**
- INSTALLATION**
    - FASTENING, SUSPENSION AND BRACING METHODS INDICATED ARE TO BE CONSIDERED A GUIDE ONLY. THE INSTALLATION CONTRACTOR SHALL ABIDE BY LOCAL CODES, VENEER JOB CONDITIONS AND ADJUST INSTALLATION PROCEDURES ACCORDINGLY.
    - SOME SITE CUTTING AND/OR GRINDING OF PARTS MAY BE REQUIRED.
    - FOR VENEER, USE SPEC. ADHESIVE & HOT GLUE [FOR FAST TACK] WHENEVER TACK NAILING IS NOT POSSIBLE.
  - COUNTERSINK SCREW OR NAIL HOLES**
    - USE Q.C. MATCHING GROUT SPARINGLY. SMEARING THE GROUT ONTO THE Q.C. SURFACE BEYOND WILL SPOIL THE APPEARANCE.
  - JOINTS**
    - NEVER TRY TO MAKE JOINTS DISAPPEAR.
    - PANELS - LEAVE JOINTS DRY OR CAULK.
    - COLUMNS - CAULK OR USE Q.C. GROUT [SEE NOTE #2 ABOVE]
    - MOLDINGS, ETC. - CAULK JOINTS.
    - NEVER USE DRYWALL TAPING TECHNIQUES.
  - COLORS**
    - TEXTURE AND COLOUR SHADING VARIATIONS WILL OCCUR BETWEEN PARTS. DO NOT TRY TO MATCH SHADINGS IN SPECIFIC AREAS. MIX VARYING PARTS AT RANDOM.
  - DRAFT ANGLES AND RADIUS**
    - DRAFT ANGLES ARE REQUIRED FOR MOLD RELEASE. UNLESS SPECIFICALLY NOTED, REVEALS, SETBACKS OR RETURNS WILL BE DRAFTED BETWEEN 5° AND 10°. ALL CORNERS WILL HAVE A SLIGHT RADIUS UNLESS SPECIFICALLY NOTED.
  - TOLERANCES**
    - SHELL THICKNESS:  $\frac{1}{16}$ " (1.6MM) TO  $+\frac{3}{16}$ " (4.8MM)
    - DIMENSIONAL LENGTH OR WIDTH:  $\pm\frac{1}{16}$ " (4.8MM)
    - WARPAGE / BOWING OUT OF PLANE:  $\frac{3}{32}$ "/FT (0.07/CM)
    - FIELD SHIMMING MAY BE REQUIRED.
  - ITEMS EXCLUDED**
    - UNLESS SPECIFICALLY NOTED, HARDWARE, CLIPS, FASTENERS, ADHESIVE, CAULKING, etc. ARE TO BE SUPPLIED BY OTHERS.
  - FOR ADDITIONAL INFORMATION**
    - SEE FORMGLAS\* SPECIFICATIONS
  - MOLDS**
    - ALL "CUSTOM MOLDS" WILL BE DESTROYED ONE MONTH AFTER DELIVERY OF MATERIALS. CONTRACTOR/ OWNER MAY NEGOTIATE TO RETAIN MOLDS.
  - NOTE**
    - DRAWING APPROVAL CONSTITUTES REVIEW OF CONTENT, STANDARD LEGEND, GENERAL NOTES, COLORS/FINISHES/TEXTURE/PATTERN AND DIMENSIONAL VERIFICATION.
    - FORMGLAS PRODUCTS LTD. WILL PROCEED WITH MANUFACTURING UPON RECEIPT OF WRITTEN APPROVAL OF SHOP DRAWINGS AND CUSTOM COLOUR/TEXTURE SAMPLES.

QC COLOUR SELECTION: TO BE VERIFIED

ISSUED FOR APPROVAL	DATE
REVISIONS	DATE

**Formglas**  
Products Ltd.

2 CHAMPAGNE DRIVE, TORONTO, ONT. M3J-2C5 CANADA  
TEL: (416) 635-8030 FAX: (416) 635-6588

338 FOURTEEN ST, SUITE 150 AMBRIDGE, PA 15003 USA  
TEL: (724) 266-1220 FAX: (724) 266-7174

AVE. RUBILINA 88, PARQUE INDUSTRIAL PALACO, MEXICALI, B.C.  
TEL: (686) 582-7609 FAX: (686) 582-7615

E MAIL: ENG@FORMGLAS.COM

QC VENEER & BULLNOSE TRIM ELEVATION & DETAILS

DATE:	SCALE: AS SHOWN
DRAWN:	CHECKED:
DRWG:	

DATE: 01 OCT 2011 - 6:03PM  
FILE NAME: C:\BRAD\STANDARD DRAWINGS\QC VENEER DETAILS.DWG